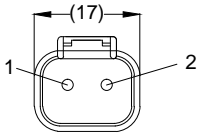
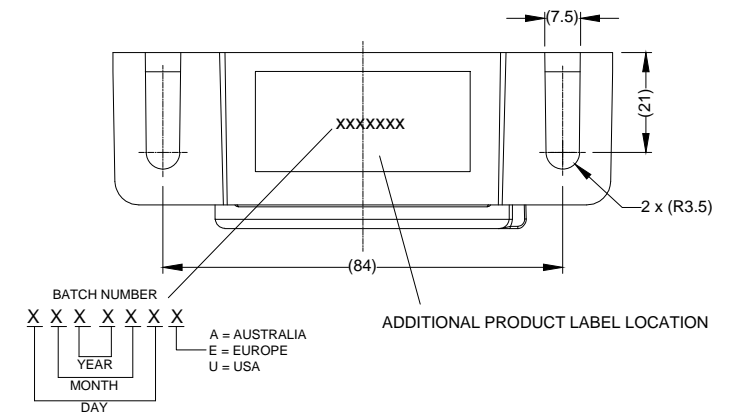
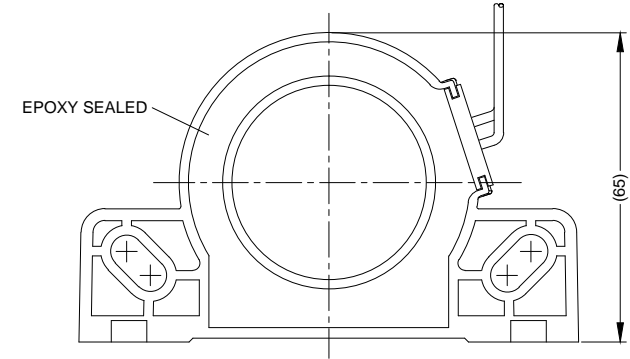
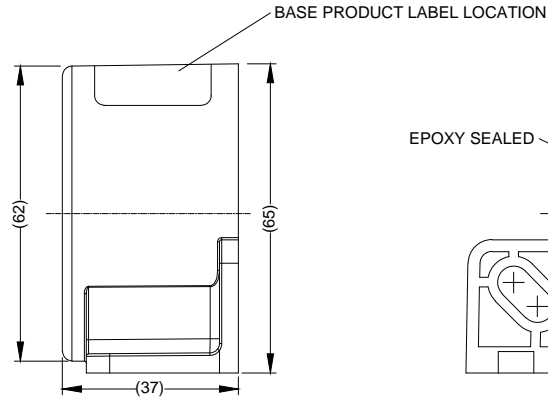
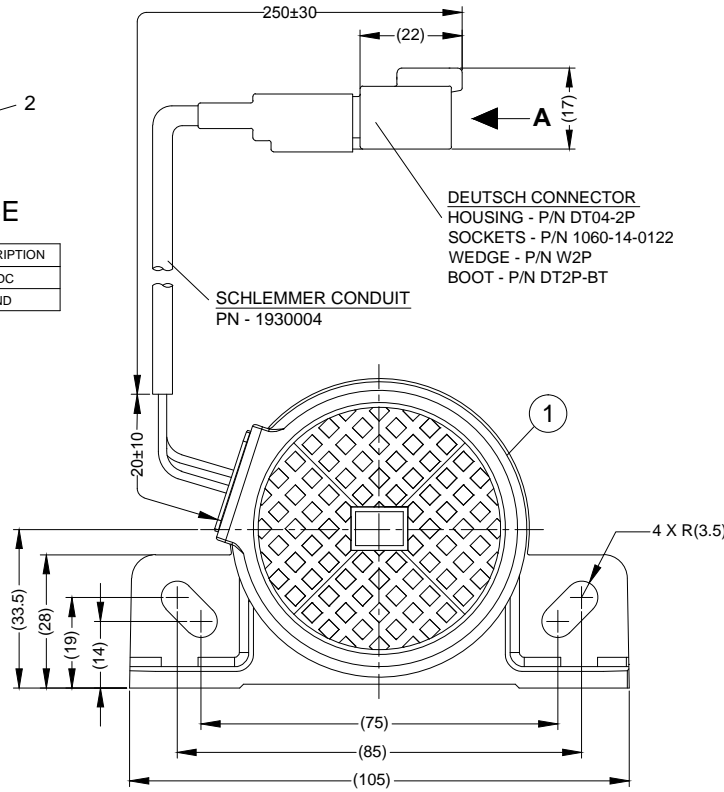


# VIEW A



## MATING FACE

PIN #	WIRE COLOUR	DESCRIPTION
1	RED	12-24VDC
2	BLACK	GROUND



Revision Notes.				
R1 - BOOT ADDED TO REAR OF CONNECTOR & CONDUIT PART NO CHANGED.				
APA: -	Drawn: BC	Checked: RB	Approved: -	Date: -

ITEM	STOCK CODE	QTY	DESCRIPTION
1	(# TBD)	1	BBS-97 (DC) ALARM ONLY
2	(# TBD)	1	ALARM WARNING STICKER (NOT SHOWN)
3	(# TBD)	1	FITTING INSTRUCTIONS (NOT SHOWN)

### CHANGES FROM BASE PRODUCT BBS-97 (0935B) TO BBS-97(DC) (4413)

- CHANGE:
- 200mm OF SCHLEMMER POLYPROPYLENE AHW NON SPLIT CONDUIT ADDED TO CABLE.
  - DEUTSCH CONNECTOR PARTS ADDED.
  - REMOVE FITTING GUIDE LABEL (LOCATED ON THE END OF POWER WIRES).
  - ADDITIONAL PD-LBL APPLIED TO THE BOTTOM OF THE ALARM REF LATEST REVISION OF DRW BE-002527-XX-13.
  - REPLACEMENT GIFT BOX LABEL ADDED TO GIFT BOX REF LATEST REVISION OF DRW BE-002504-XX-13.

OPERATION: SAME AS BASE PRODUCT

### SPECIFICATION:

- RATED VOLTAGE: 12 AND 24 VOLT DIRECT CURRENT (WORKING VOLTAGE RANGE 9-32 VOLTS)
- RATED CURRENT: 0.2 AMPERES OR LESS.
- SOUND PRESSURE: 97±4 DECIBELS AT TEST VOLTAGE OF 14 AND 28 VOLTS (AS MEASURED AT DISTANCE OF 1.2M AND AT HEIGHT OF 1.2M ABOVE THE GROUND)
- INTERMITTENCE: 80±10 CYCLES PER MINUTE AT TEST VOLTAGE OF 14 AND 28 VOLTS.
- TONE: WHITE SOUND(BBS).
- ENVIRONMENTAL: SUBJECT TO SAE J994.

### NOTES:

- REFER TO BASE PRODUCT FOR PRODUCT SPECIFICATION.
- FOR PRODUCT LABEL REFER TO LATEST REVISION OF DRAWING BE-002182-XX-12.

### PROPRIETARY NOTICE

THIS DESIGN AND TECHNICAL INFORMATION APPEARING ON THIS DRAWING IS THE PROPERTY OF BRIGADE ELECTRONICS, AND IS DISCLOSED IN CONFIDENCE. IT IS NOT TO BE COPIED, REPRODUCED, REVEALED TO OR EXPROPRIATED BY OTHERS, EITHER IN WHOLE OR IN PART WITHOUT THE EXPRESS WRITTEN CONSENT OF BRIGADE ELECTRONICS.



Assembly PI Approval S.ATTWOOD 05/07/13	Approved by G.PLITH	Checked by R.BATES	Drawn by B.CHILDS
Customer Approval R.RUTENBECK 15/05/13	Angle of Projection Third Angle	Units mm	Scale N/A
Status RELEASED		Released 08/07/13	Assembly Ref -
Part No 4413		BBS-97(DC) BE-002301-01-13	